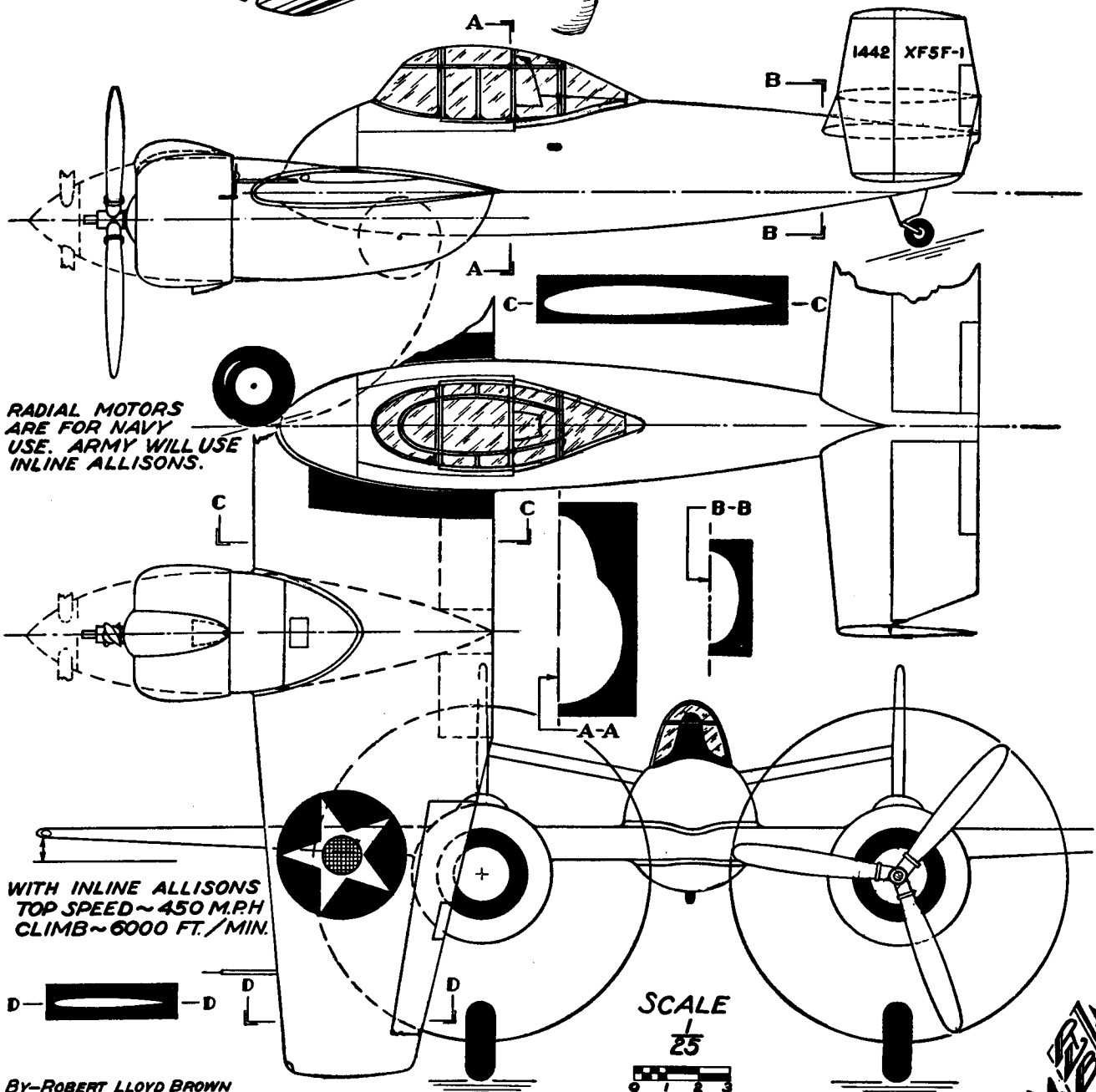


# FASTEST Pursuit By GRUMMAN

ARMAMENT ~ 2 CANNONS &  
4 HEAVY MACHINE GUNS  
SPAN ~ 41' PROPELLER  
DIAMETER ~ 10'6"

OVER-ALL LENGTH ~ 28'  
FUSELAGE LENGTH ~ 22'  
OVER-ALL HEIGHT ~ 10'  
WHEEL DIAMETER ~ 2'

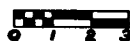


RADIAL MOTORS  
ARE FOR NAVY  
USE. ARMY WILL USE  
INLINE ALLISONS.

WITH INLINE ALLISONS  
TOP SPEED ~ 450 M.P.H.  
CLIMB ~ 6000 FT./MIN.

SCALE

1/25



By-ROBERT LLOYD BROWN